

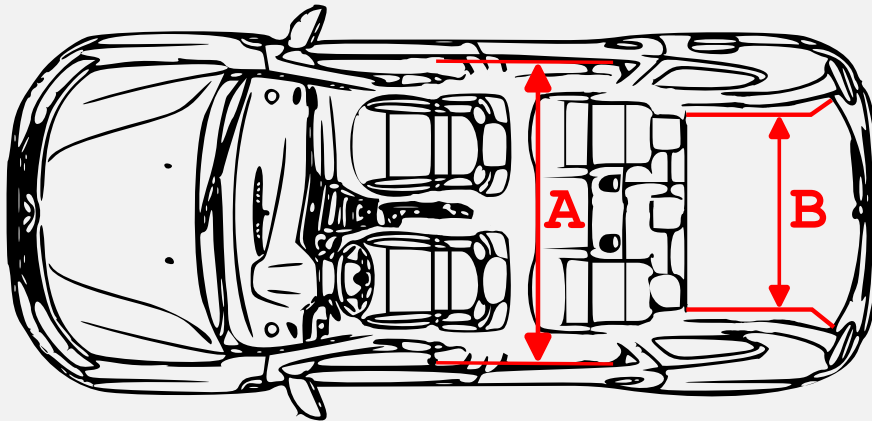
Width required for our models?

A size for main part of construction

- minimum of 110cm - **miniB** - and 115cm for mattress
- minimum of 110cm - **ClassicBox** - and 120cm for mattress

B size for main box

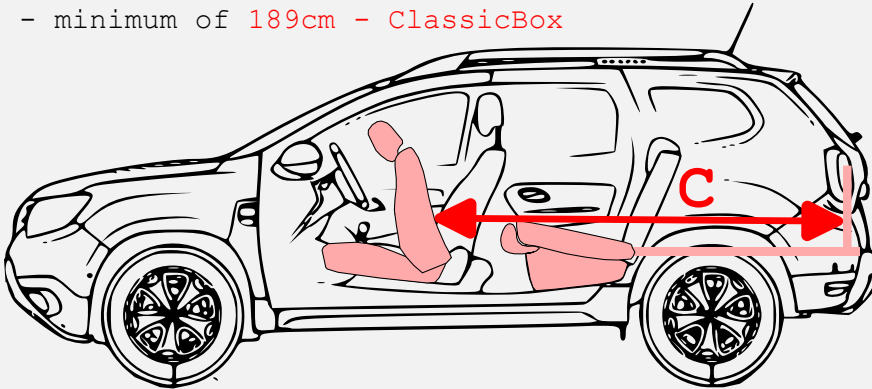
- minimum of 93cm - **miniB** - and the same for mattress
- minimum of 90cm - **ClassicBox** - and 95cm for mattress



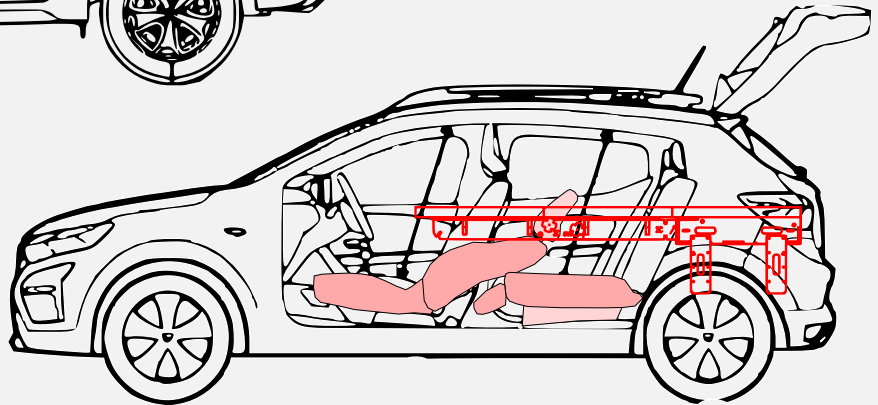
Lenght required for our models?

C size for main part of construction

- minimum of 179cm - miniB
- minimum of 189cm - ClassicBox



***only for miniB** on smaller cars you can use alternative way of front seats folding, this way small city cars can be also used for our system.



Why mattress is bigger than minimum construction space?

Mattresses are made of top quality foam - so you can squeeze them if needed at some points.

Below you can see mattress sizes of both models.

